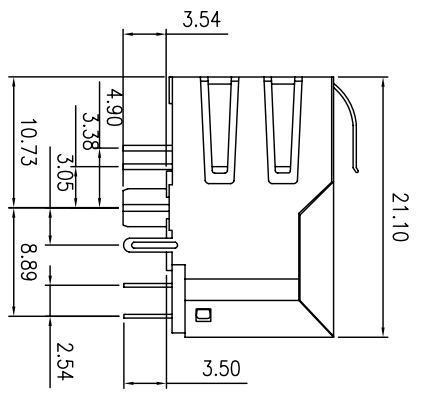
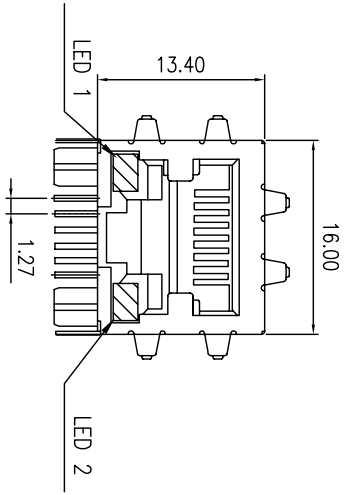


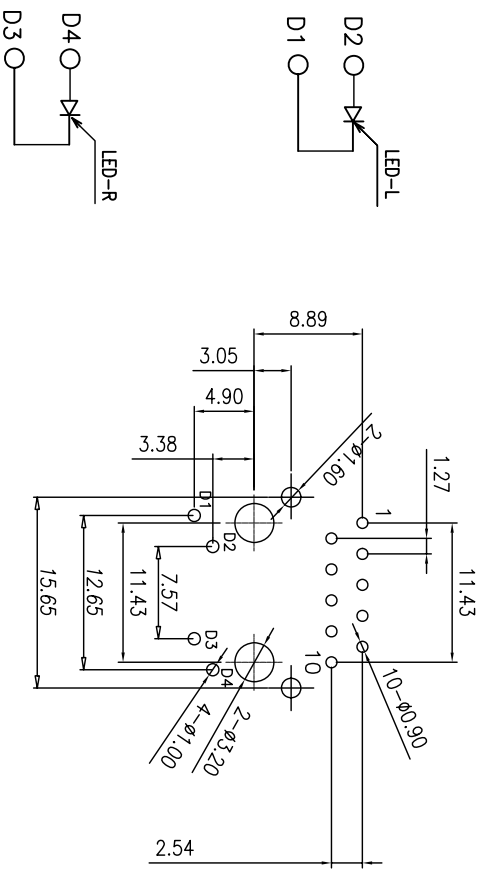
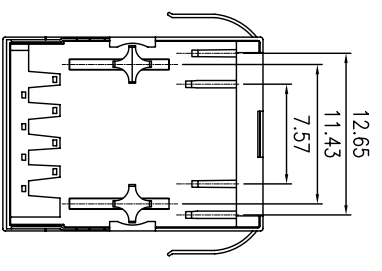
4	3	2	1
CATEGORY	DESCRIPTION	P/N #	REV.
CONNECTOR	RJ45 1000Mbps with LED	MJ1A-B211-RSLX3T101-2	A01
	变更料号由原 MJ1A-B211-RL143T101-2 变更为 MJ1A-B211-RLX3T101-2		
ECN NO	DESCRIPTION	REVISED	DATE
	整理图面	XSY	2014.03.21



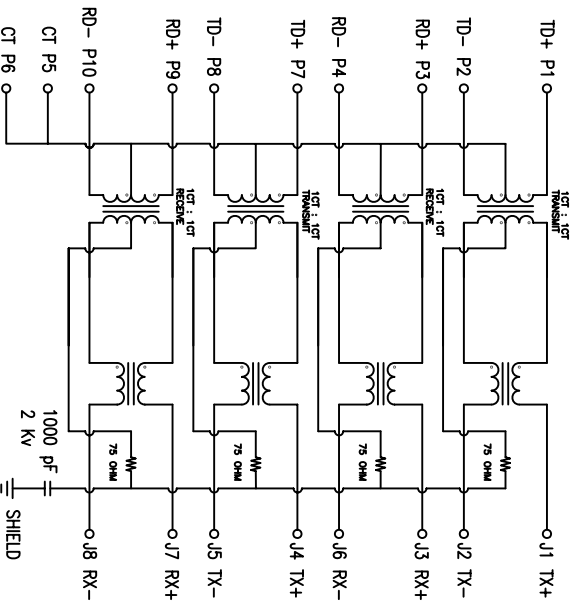
MJ1A-B211-RLX3T101-2

TABLE 1

X	LED-L	LED-R
1	GREEN	YELLOW
2	YELLOW	GREEN
3	GREEN/ORANGE	YELLOW



Recommend PCB Layout
(Jack Top View)
Tolerance: ±0.05mm
Recommend PCB Thickness: 1.6mm



ELECTRICAL SPECIFICATIONS @ 25°C+/-5°C

Insertion Loss: 1-100MHZ -1.0dB MAX
Return Loss: 1-30MHZ -16.0dB MIN
30-60MHZ -14.0dB MIN
60-80MHZ -10.0dB MIN

Cross Talk: 1-30MHZ -40.0dB MIN
30-60MHZ -35.0dB MIN
60-80MHZ -30.0dB MIN

Turn Ratio: 1CT:1CT+/-3%

CMR: 1-100MHZ -35.0dB MIN

Hi-Pot: 1000V AC 2S 1mA

OCL: 350uH MIN @ 100KHZ 100mV 8mA DC

Operating temperature range: 0°C to +70°C

g	LED-R	1	See Table1	Tin PALTING	
f	LED-L	1	See Table1	Tin PALTING	
e	SHELL	1	BRASS	Ni PALTING	
d	SOLDER TERMINAL	10	BRASS	Tin PALTING	
c	CONTACT TERMINAL	8	PHOSPHOR BRONZE	Au 6u" PALTING	
b	COVER	1	PBT UL94V-0	BLACK	
a	HOUSING	1	PBT UL94V-0	BLACK	
NO.	PART NAME	QTY	MATERIAL	PLATING & COLOR	Remark

UNLESS OTHERWISE SPECIFIED TOLERANCES

DECIMALS: ANGLES:

X :±0.5 X :±2°

XX :±0.3 XX :±1°

XXX :±0.2 XXX :±1°

东莞市合陵电子有限公司
DongGuan Heling Electronic Co.,LTD

SCALE:1/1 UNIT: mm DWG.NO: WI-161-015

SIZE: A3 PAGE:1 OF 1 REV:A01

APPROVED BY: XSY CHECKED BY: XSY PREPARED BY: XSY

DICK: XSY

CUSTOMER COPY