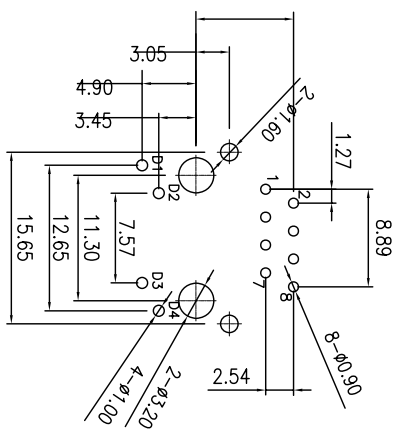
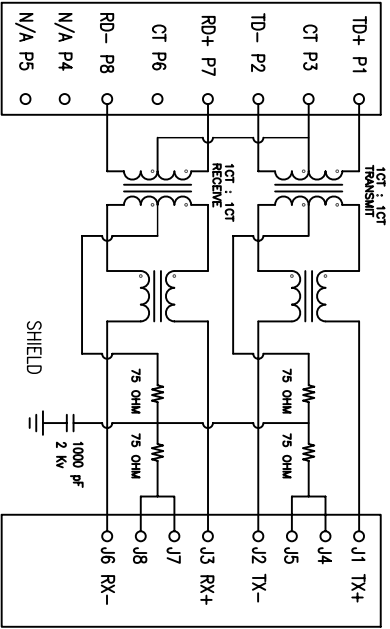
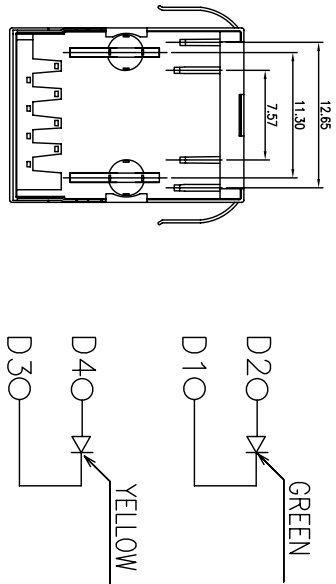
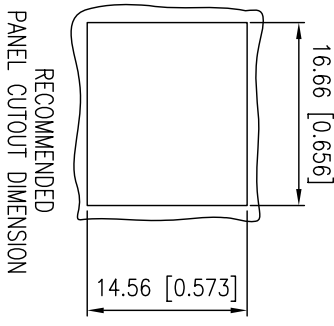
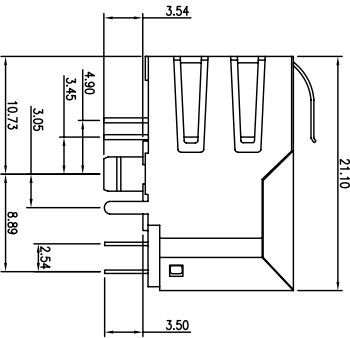
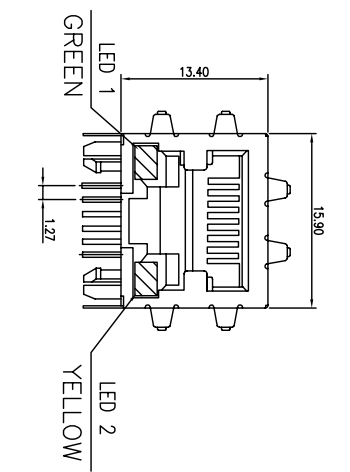


4	4	3	2	1
CATEGORY	DESCRIPTION	P/N #	REV.	ECN NO
CONNECTOR	RJ45 10/100Mbps with LED	MJ1B-B211-RSL13T003-2	A01	

DESCRIPTION	REVISED	DATE
New Release	XSY	2014.05.21

ELECTRICAL SPECIFICATIONS @ 25°C+/-5°C

- Insertion Loss: 1-100MHZ -1.0DB MAX
- Return Loss: 1-30MHZ -16.0DB MIN
- 30-60MHZ -14.0DB MIN
- 60-80MHZ -10.0DB MIN
- Cross Talk: 1-30MHZ -40.0DB MIN
- 30-60MHZ -35.0DB MIN
- 60-80MHZ -30.0DB MIN



Recommend PCB Layout
(Jack Top View)
Tolerance: ±0.05mm
Recommend PCB Thickness: 1.6mm

CMR:1-100MHZ -35.0dB MIN
Hi-Pot: 1000V AC 6S 1mA
OCL:350uH MIN @ 100KHZ 100mV 8mA DC
Turn Ratio: 1CT:1CT+/-3%
Operating Temperature Range:0°C to +70°C
Housing Material: PBT UL94V-0 Black, SHELL: Brass Ni Plated
Contacts: 0.35mm Thick Phosphor Bronze Plated with 6u' Gold In Contact Area

UNLESS OTHERWISE SPECIFIED TOLERANCES	DECIMALS:	ANGLES:
	X :±0.5	X :±2°
	XX :±0.3	XX :±1°
	XXX :±0.2	

<p>东莞市合陵电子有限公司 DongGuan Heling Electronic Co.,LTD</p>		SCALE:1/1	UNIT: mm	DWG.NO:
APPROVED BY	CHECKED BY	PREPARED BY		
DICK	XSY	XSY		
CUSTOMER COPY				