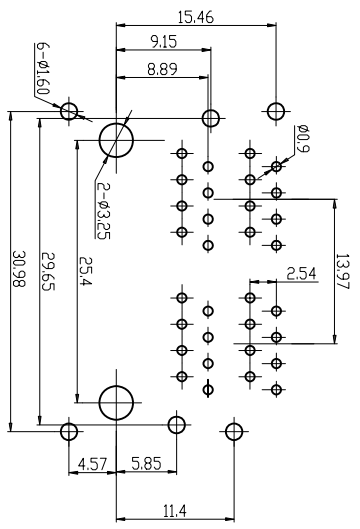
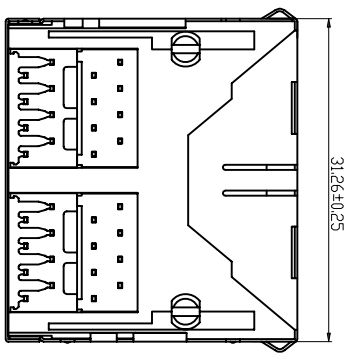
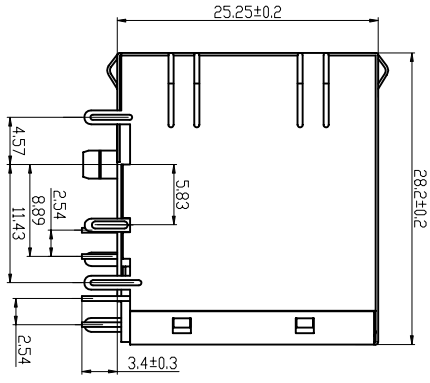
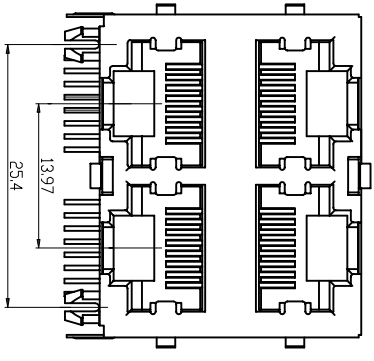


CATEGORY	DESCRIPTION	P/N #
CONNECTOR	Modular Jack, 8P8C, 2X2PORT	MJ5988-BX2-RS

REV.	ECN NO	DESCRIPTION	REVISED	DATE
A01	—	New Release	GMC	2010.08.30



- SPECIFICATIONS:
1. Voltage: 150V AC RMS
 2. Current Rating: 1.5A
 3. Contact Resistance: 30mΩ MAX.
 4. Insulation Resistance: 500MΩ MIN.
 5. Dielectric Withstand Voltage :1000V AC
 6. Operatue Temperature: -40°C~80°C
 7. Durability: 500 Mating Cycles MIN.

Part No.: MJ5988-BX2-RS

Material & Plating

X	Terminal Plating
0	Au 1u" Plating
1	Au 3u" Plating
2	Au 6u" Plating
3	Au 15u" Plating
4	Au 30u" Plating
5	Au 50u" Plating

c	Shielding	1	Brass	Ni Plating
b	Terminal	8	Phosphor Bronze	Terminal Plating
a	Housing	1	PBT UL94V-0	See Color Scheme
NO.	PART NAME	Q'TY	MATERIAL PLATING & COLOR Remark	

UNLESS OTHERWISE SPECIFIED TOLERANCES

DECIMALS: ANGLES:

X :±0.5 X :±2°

XX :±0.3 XX :±1°

XXX :±0.2

Product Drawing
Dongguan Hejing Electronic Co.,LTD

SCALE: 1/1	UNIT: mm	DWG.NO:	WI-061-751
SIZE: A3	PAGE: 1 OF 1	REV: A01	
APPROVED BY	CHECKED BY	PREPARED BY	
TONY	WZ	WZ	
CUSTOMER COPY			