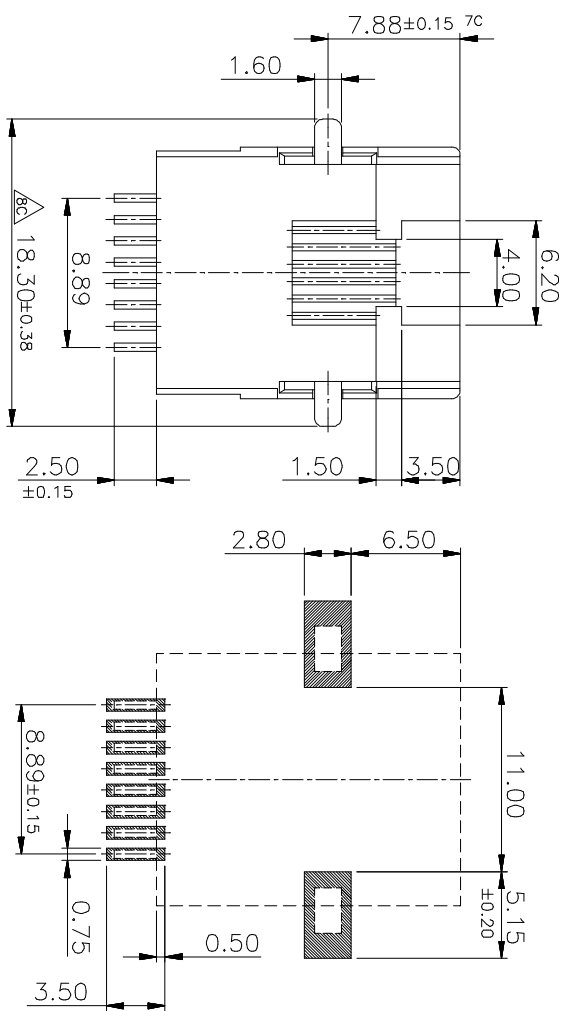
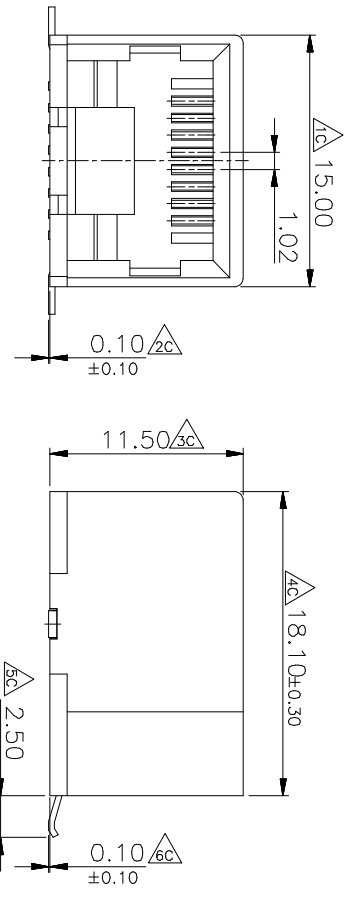


CATEGORY	DESCRIPTION	P/N #
CONNECTOR	RJ45 8P8C Connector SMT	MJ88-XX11-RNS1-X

由旧料号: MJ88-BX11-RNS1
改为新料号: MJ88-XX11-RNS1-X

REV.	ECN NO	DESCRIPTION	REVISED	DATE
A01		-----	KELLY	2014.02.21
A02		增加塑胶颜色和包装选项	KELLY	2017.03.09



Electrical:
 1. Voltage Rating: 125 Vac Rms.
 2. Current Rating: 1.5 Amp.
 3. Contact Resistance: 40 Milliohms Max.
 4. Insulation Resistance: 1000 Megohms Min @500 Vdc.
 5. Dielectric Strength: 1000 Vac Rms 60Hz, 1Min.

Mechanical:
 1. Operating: 750 Cycles Min.

Environmental:
 1. Storage: -40°C To +85°C.
 2. Operation: -20°C To +75°C.
 3. IR Reflow Soldering Temperature: 255°C To 265°C.

Mates With Modular Plug Conforming To FCC Part 68, Subpart F.

MJ88-XX11-RNS1-X

X	Terminal Plating
0	Au 1u" Plating
1	Au 3u" Plating
2	Au 6u" Plating
3	Au 15u" Plating

X	包装方式
P	吸塑盒包装
C	载带包装

X	Colour
B	Black
Y	Yellow
G	Gray

MATERIALS:

PLASTIC HOUSING: ENGINEERING THERMOPLASTIC
 FLAMMABILITY RATING UL 94V-0.

CONTACTS: PHOSPHOR BRONZE
 PLATING: GOLD PLATING OVER NICKEL IN CONTACT.
 TIN PLATING OVER NICKEL IN SOLDER AREA.

UNLESS OTHERWISE SPECIFIED TOLERANCES		SCALE: 1/1	UNIT: mm	DWG. NO:
DECIMALS: .X	ANGLES: .X	SIZE: A3	PAGE: 1 OF 1	REV: A01
.X.X	.X.X	APPROVED BY	CHECKED BY	PREPARED BY
.X.XX	.X.XX	TNOY	BILL	KELLY

东莞市合陵电子有限公司
 Dongguan Heling Electronic Co., LTD
 Connector

CUSTOMER COPY